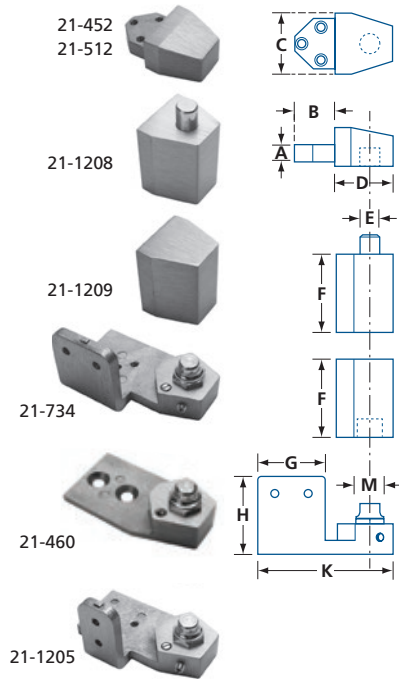


# PIVOTS

## OFFSET

### DOREX J SERIES 3/4" OFFSET PIVOT SETS

J25, J26, J28, J31



- For aluminum door and frame
  - Handed or non-handed – see chart
  - Capacity up to 125 lbs (57 kg)
  - 1/8" (3 mm) vertical adjustment range
  - Aluminum die-cast housing
  - All-weather acrylic coating
  - Oilite bronze bushing in frame top unit
  - Spring loaded pivot in door top unit
  - Full race ball bearing in door bottom unit
  - Case-hardened steel stub in frame bottom unit
- Modular design, all set components available individually – see chart

J2501	AL
SET	FINISH

#### J25 / J26 / J28 / J31

TYPE	SET	HAND	FINISH	FRAME TOP	DOOR TOP	DOOR BOTTOM	FRAME BOTTOM
Flush, jamb mount	J2501	RIGHT	AL	21-452	21-1208	21-1209	21-734
	J2502	LEFT	AL				21-738
1/8" Recess, jamb mount	J2601	RIGHT	AL	21-512	21-1208	21-1209	21-734
	J2602	LEFT	AL				21-738
1/8" Recess, non-handed	J2800	—	AL	21-512	21-1208	21-1209	21-460
1/8" Recess, narrow	J3101	RIGHT	AL	21-512	21-1208	21-1209	21-1205
	J3202	LEFT	AL				21-1204

	A	B	C	D	E	F	G	H	K	M
J25	13/32 (10)	29/32 (23)	1 3/8 (34.8)	1 9/32 (32.4)	7/16 (11)	1 3/4 (44.4)	1 1/2 (38.1)	1 3/4 (44.3)	3 1/32 (77)	1 1/16 (17.2)
J26	13/32 (10)	29/32 (23)	1 3/8 (34.8)	1 9/32 (32.4)	7/16 (11)	1 3/4 (44.4)	1 1/2 (38.1)	1 3/4 (44.3)	3 1/32 (77)	1 1/16 (17.2)
J28	13/32 (10)	29/32 (23)	1 3/8 (34.8)	1 9/32 (32.4)	7/16 (11)	1 3/4 (44.4)	—	—	3 1/32 (77)	1 1/16 (17.2)
J31/32	13/32 (10)	29/32 (23)	1 3/8 (34.8)	1 9/32 (32.4)	7/16 (11)	1 3/4 (44.4)	7/8 (22.2)	1 3/4 (44.3)	3 1/32 (77)	1 1/16 (17.2)

IN(MM)